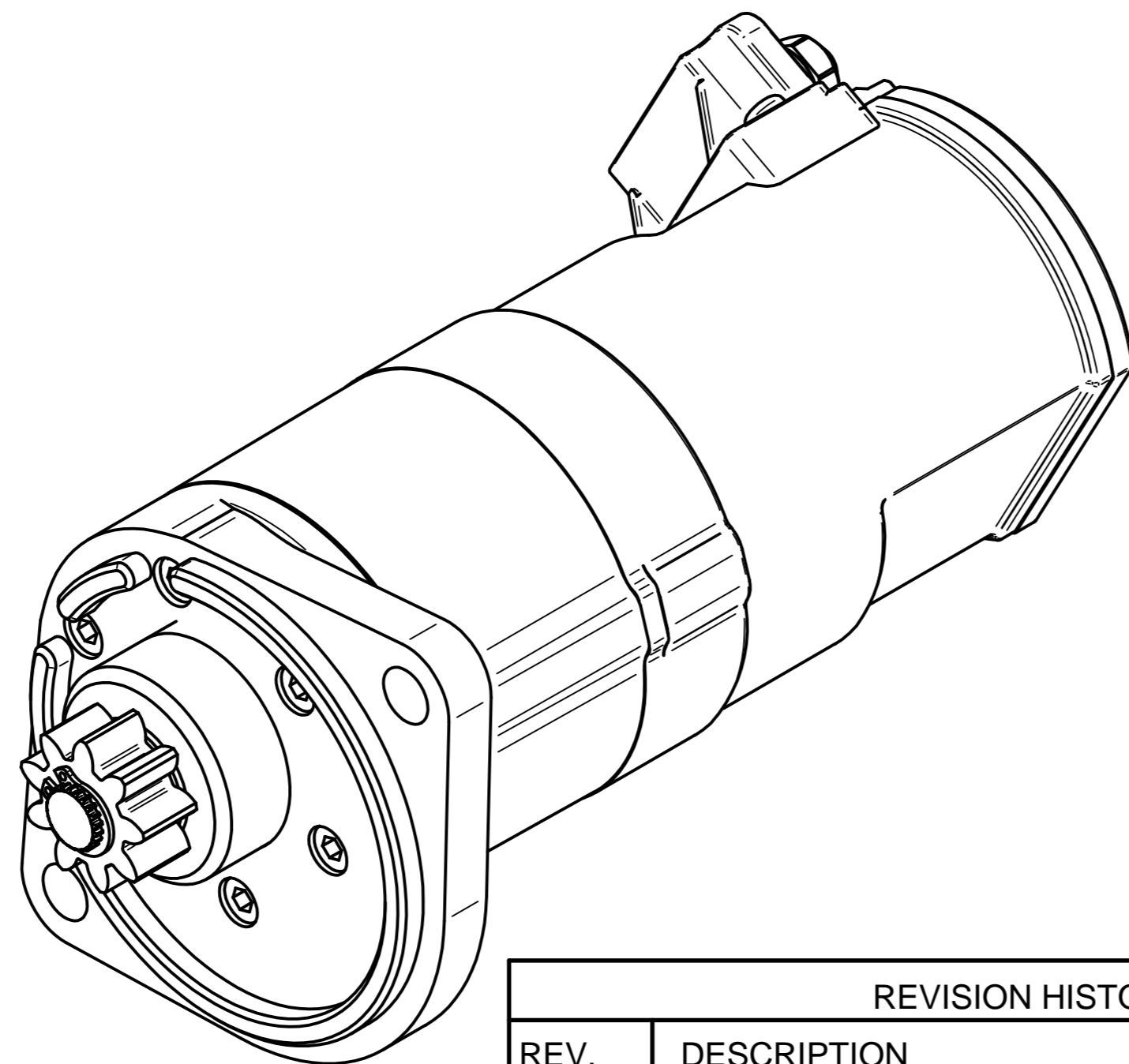
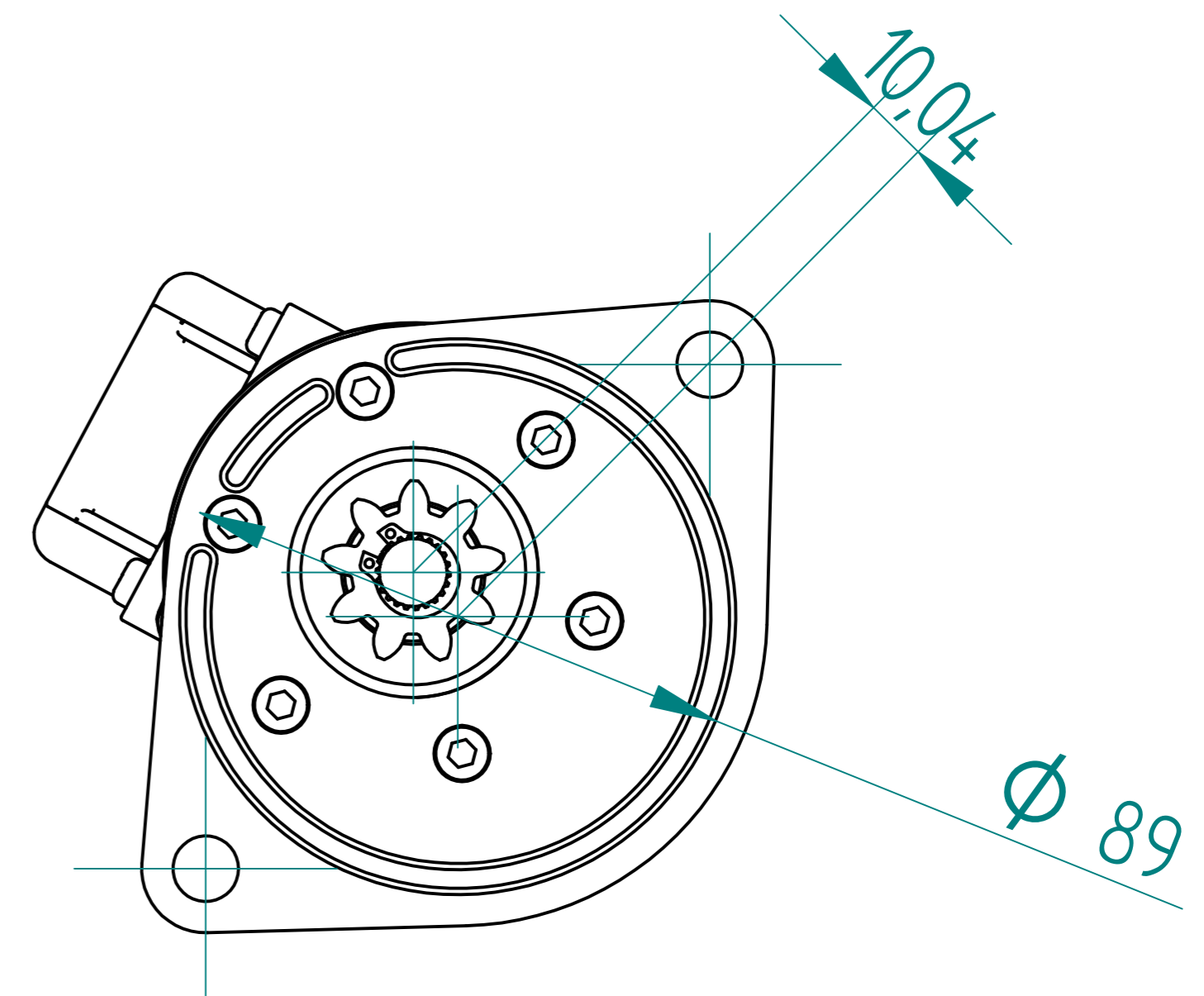
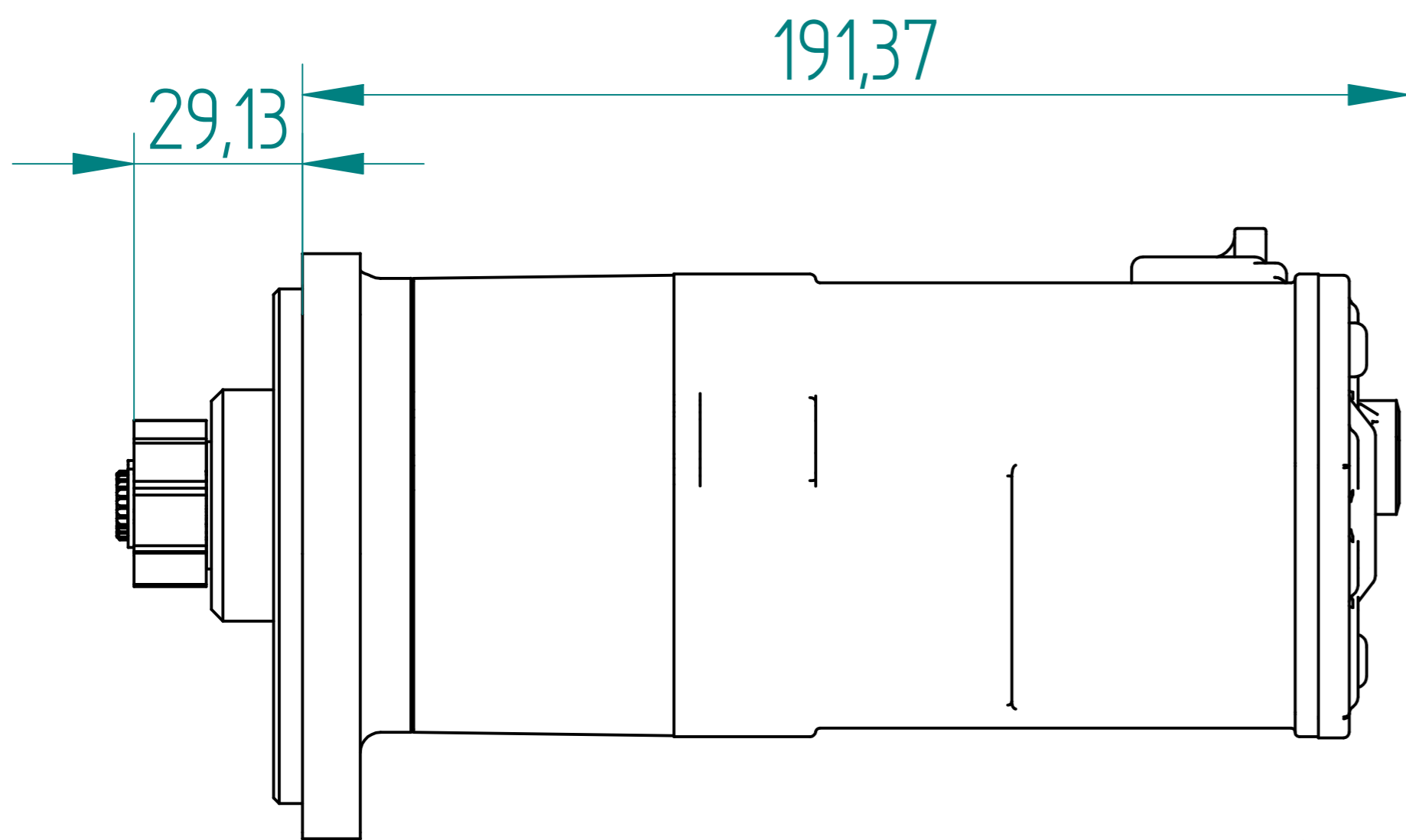



Ford BDA/BDG fitted with 104 tooth Ring Gear. Part Number 892909off10AXG



REVISION HISTORY			
REV.	DESCRIPTION	DATE	APPRO

Material		Finish		
Drawn	Name	Date		
Checked	S.W.	27/06/11		
Appro				
Note.	Unless otherwise stated all dimensions in mm.			
Project: Ford BDA/BDG fitted with 104 tooth Ring Gear.			Item: 892909off10AXG Maximum Torque: 47-50Nm	
Status				
© Copyright Brise Ltd. Unit Q3 Northfleet Industrial Estate DA11 9SN		Scale 1:1	Sheet 1 of 1	Mass: 2.7kg
All Rights Reserved				