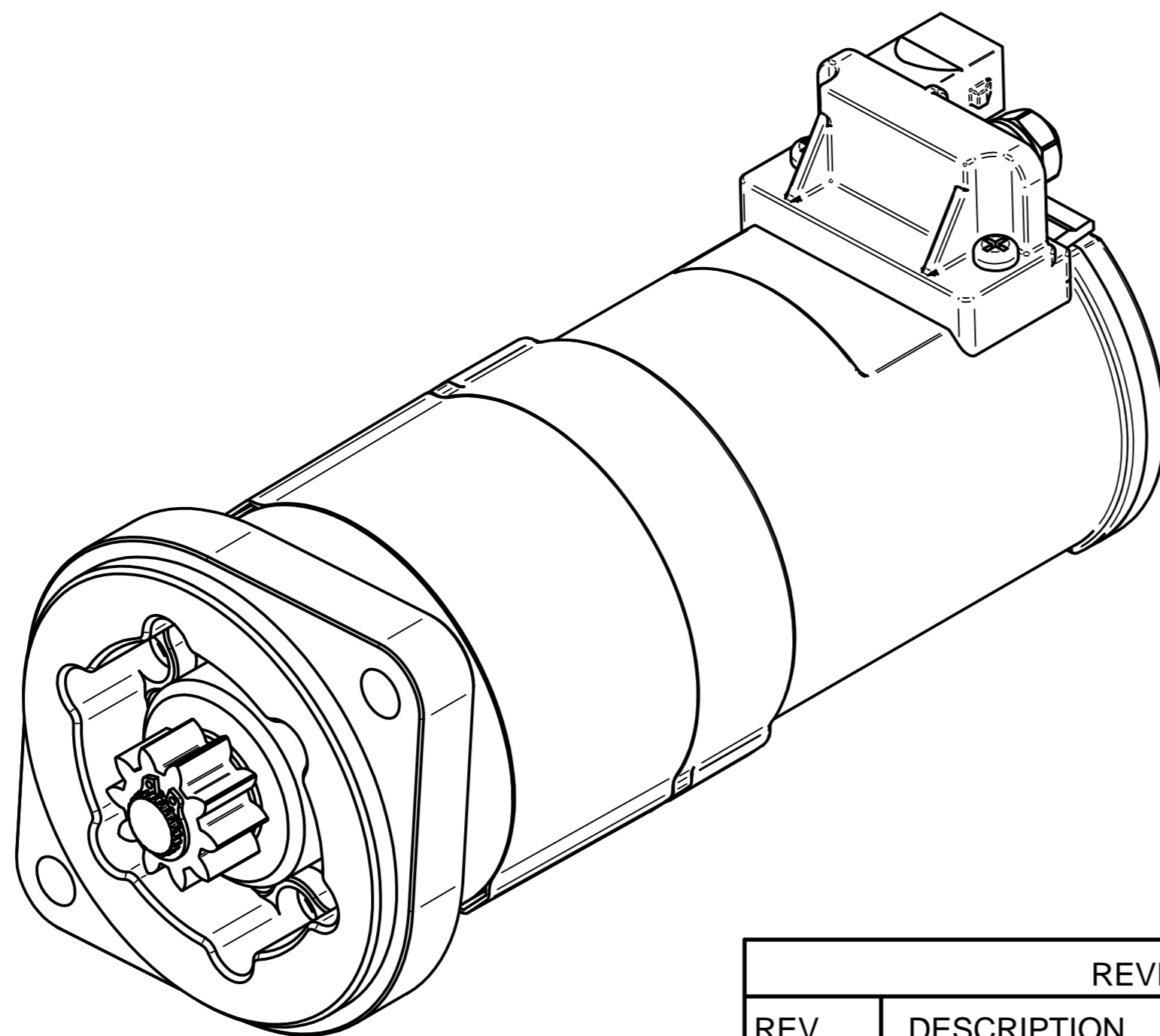
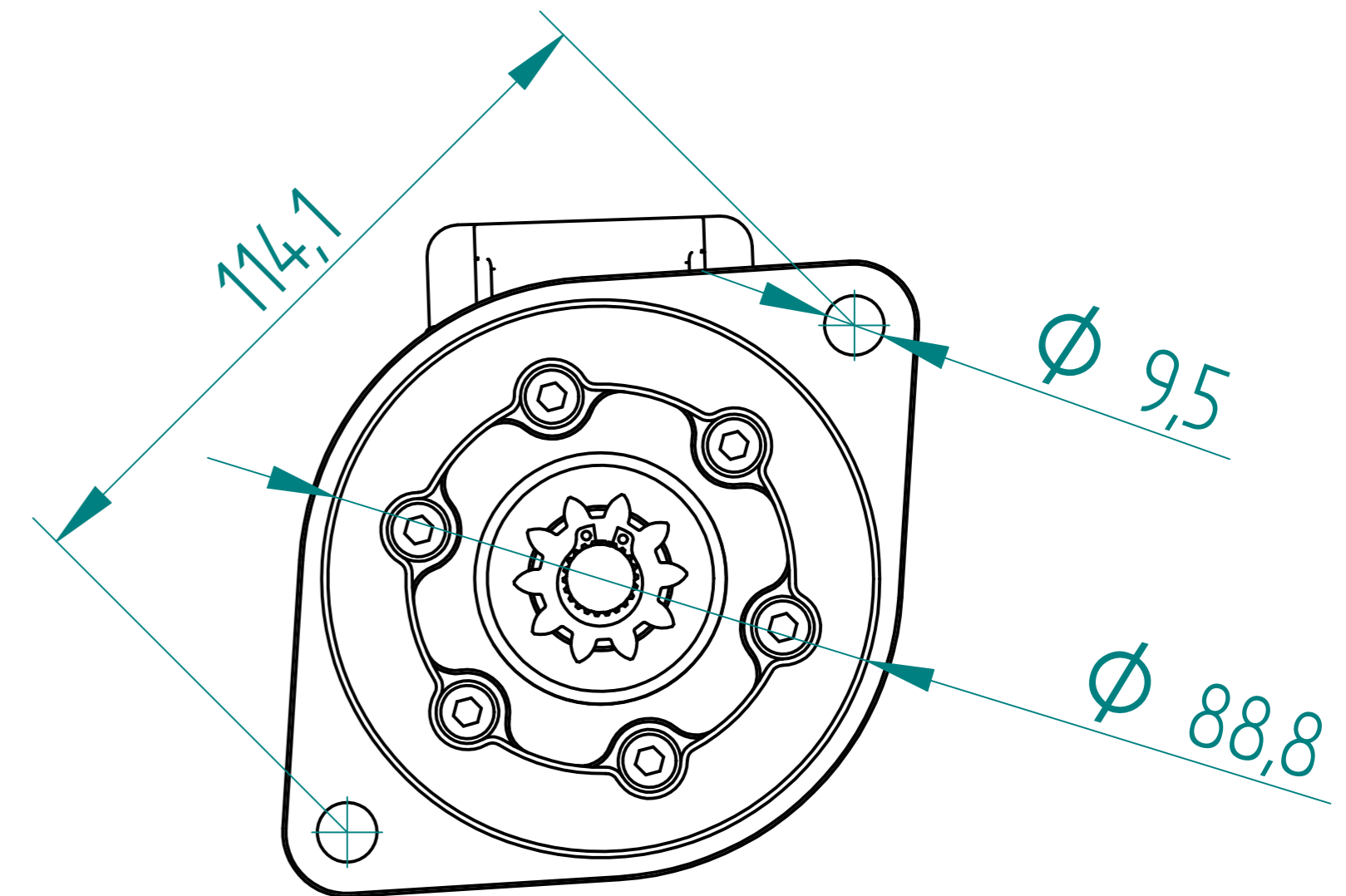
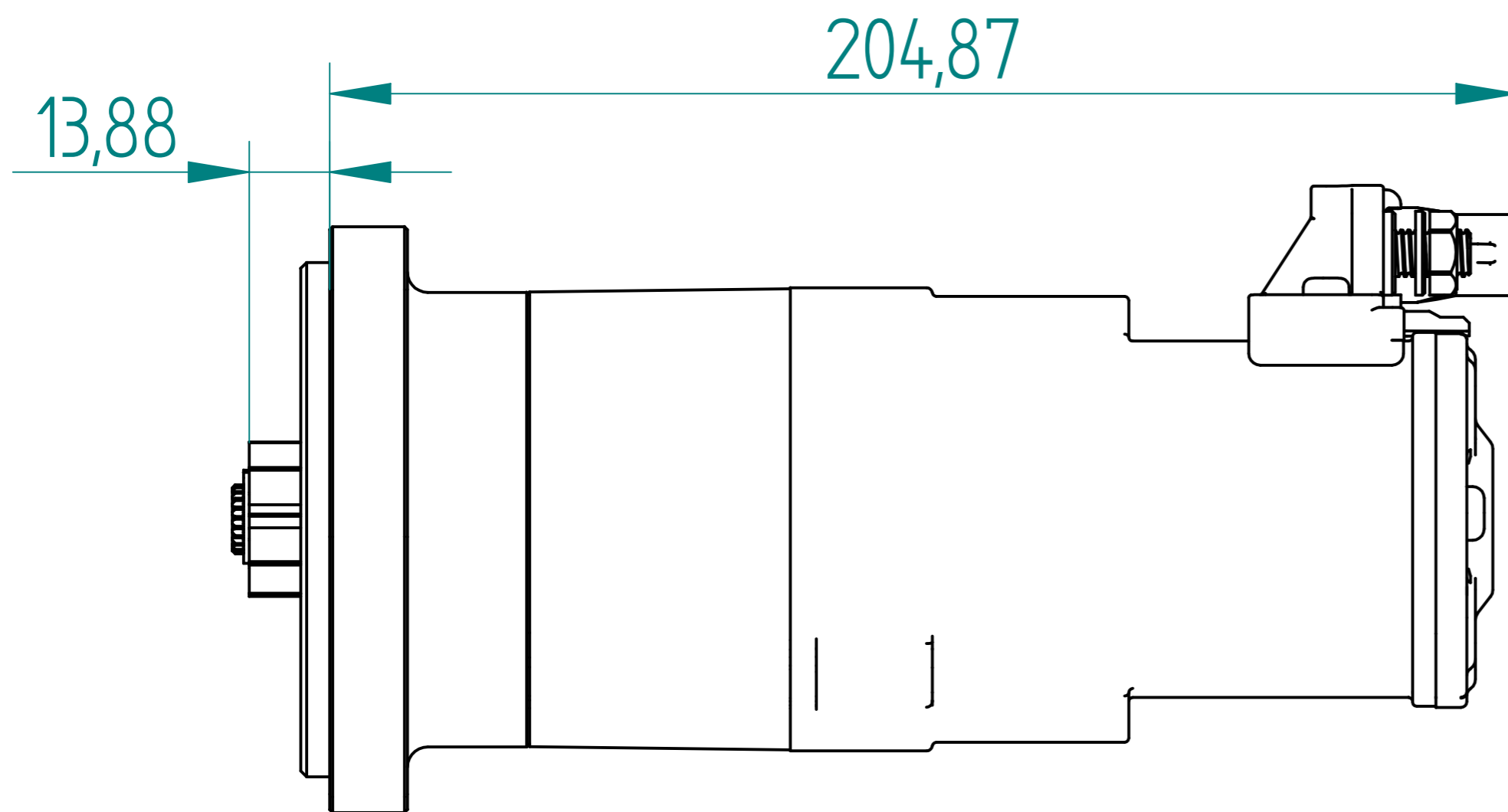


# Ford Anglia fitted with Zetec and Type 9 gear box.

## Part Number A891410AXG



REVISION HISTORY			
REV.	DESCRIPTION	DATE	APPRO

Material		Finish	
Drawn	Name	Date	
Checked	S.W.	27/06/11	
Appro			
Note.	Unless otherwise stated all dimensions in mm.		
Status	Project: Anglia fitted with Zetec and Type 9 gear box.		Item: A891410AXG
© Copyright Brise Ltd. Unit Q3 Northfleet Industrial Estate DA11 9SN			Maximum Torque: 47-50Nm
Scale 1:1		Sheet 1 of 1	Mass: 2.7kg
All Rights Reserved			