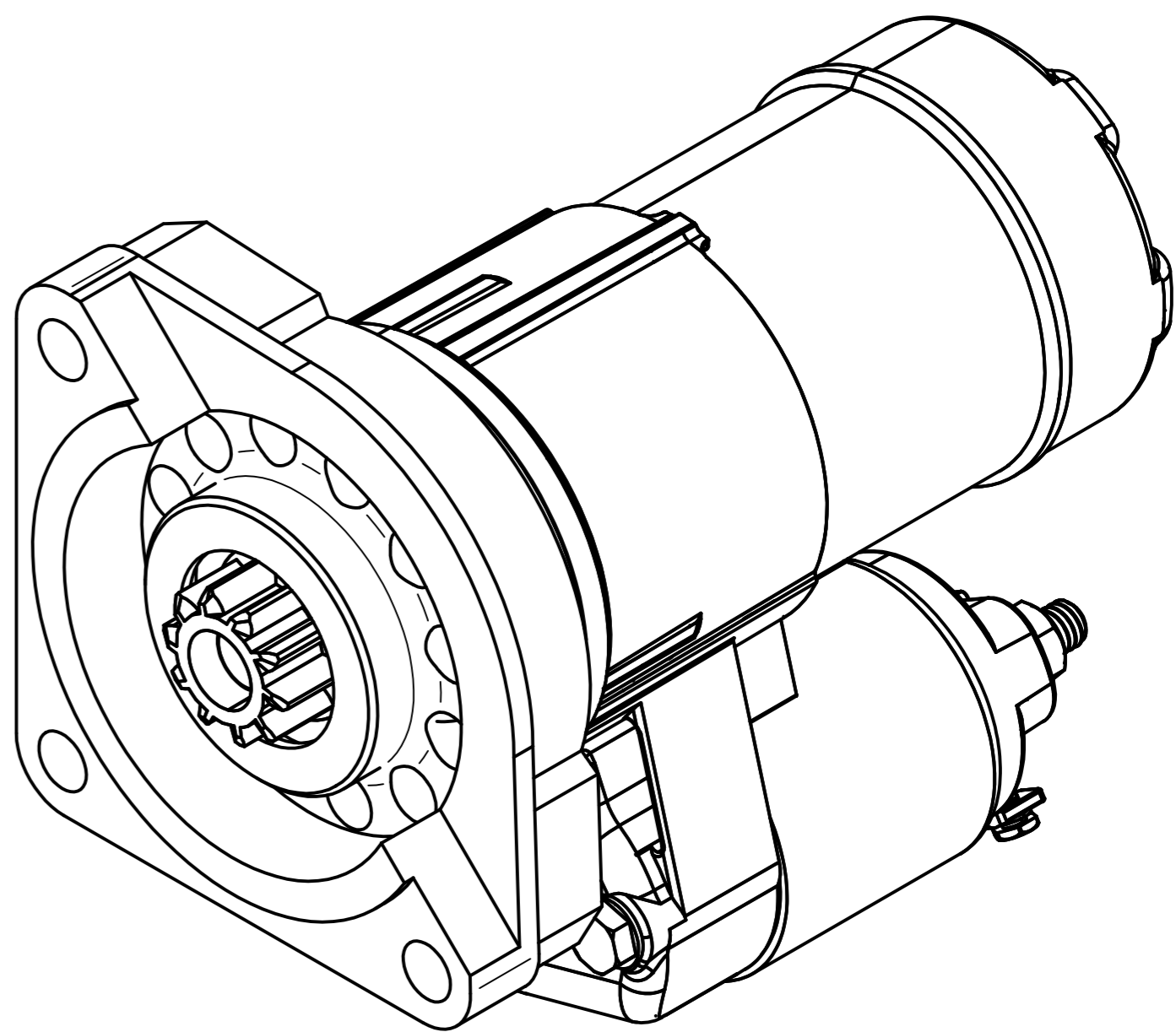
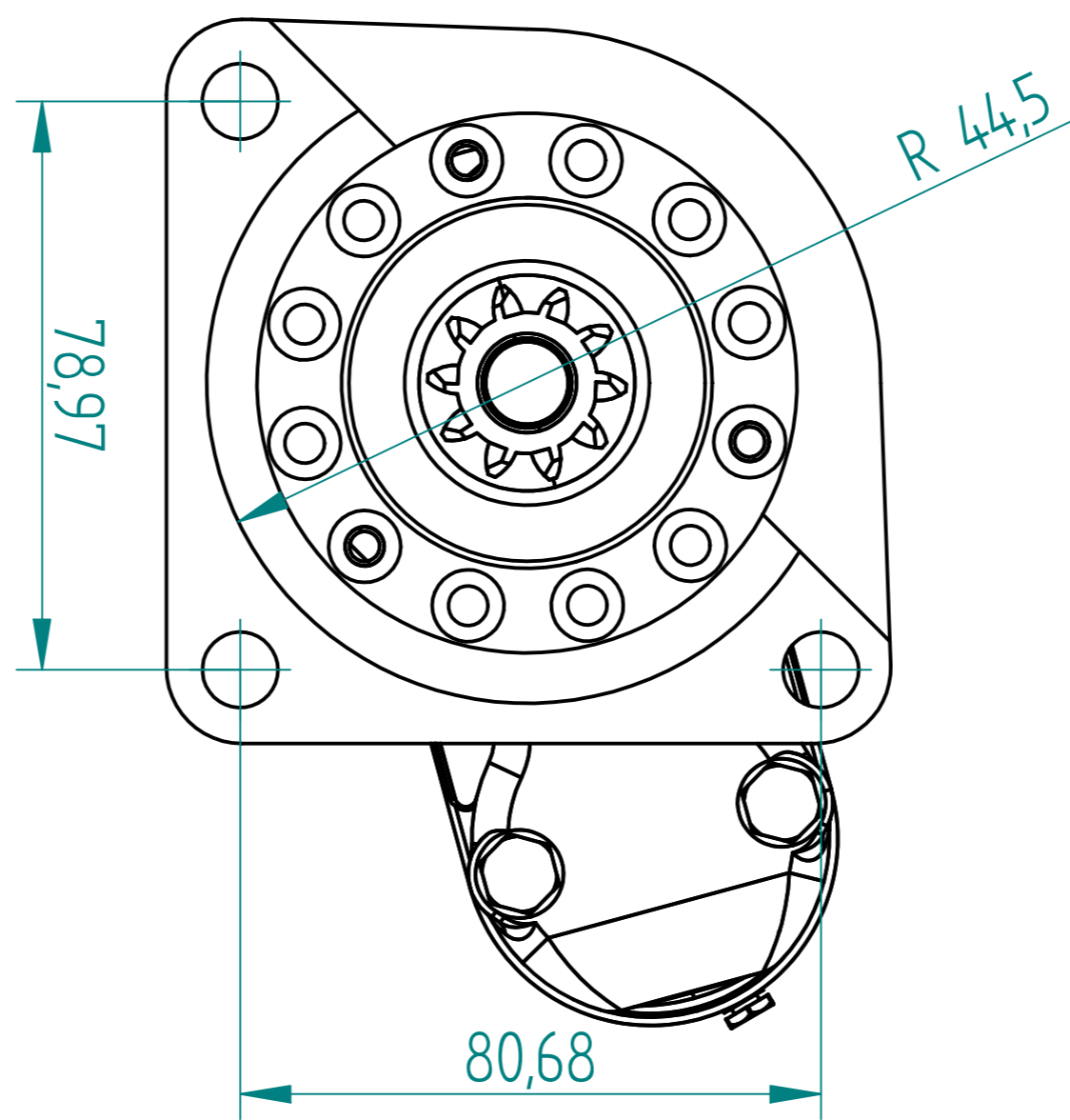
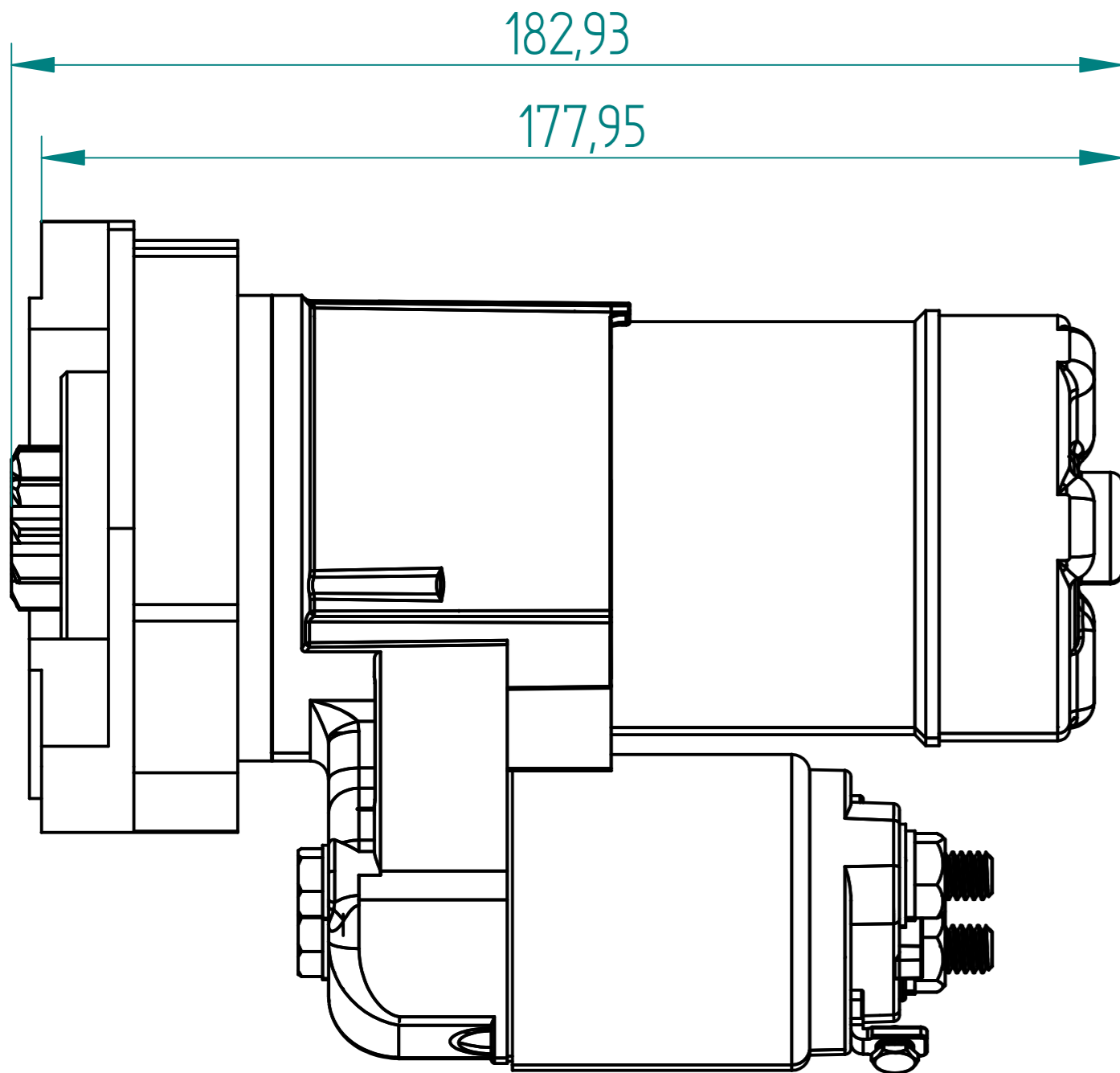


# Caterham K Series Starter. Part Number C89291PRG.



|   |      |          |  |              |             |
|---|------|----------|--|--------------|-------------|
| Material  |      |          | Finish                                       |              |             |
| Drawn   | Name | Date     |  |              |             |
| Checked   | S.W. | 21/07/10 |  |              |             |
| Appro   |      |          |  |              |             |
| Note.   |      |          |  |              |             |
| Unless otherwise stated all dimensions in mm.   |      |          | Project: Caterham K Series inclusive spacer. |              |             |
|   |      |          | Item: C892910PGR                             |              |             |
|   |      |          | Maximum Torque: 47-50Nm                      |              |             |
| Status  |      |          | Scale 1:1                                    | Sheet 1 of 1 | Mass: 2.7kg |
| © Copyright Brise Ltd. Unit Q3 Northfleet Industrial Estate DA11 9SN<br>All Rights Reserved |      |          |  |              |             |

| REVISION HISTORY |             |      |       |
|------------------|-------------|------|-------|
| REV.             | DESCRIPTION | DATE | APPRO |
|                  |             |      |       |
|                  |             |      |       |