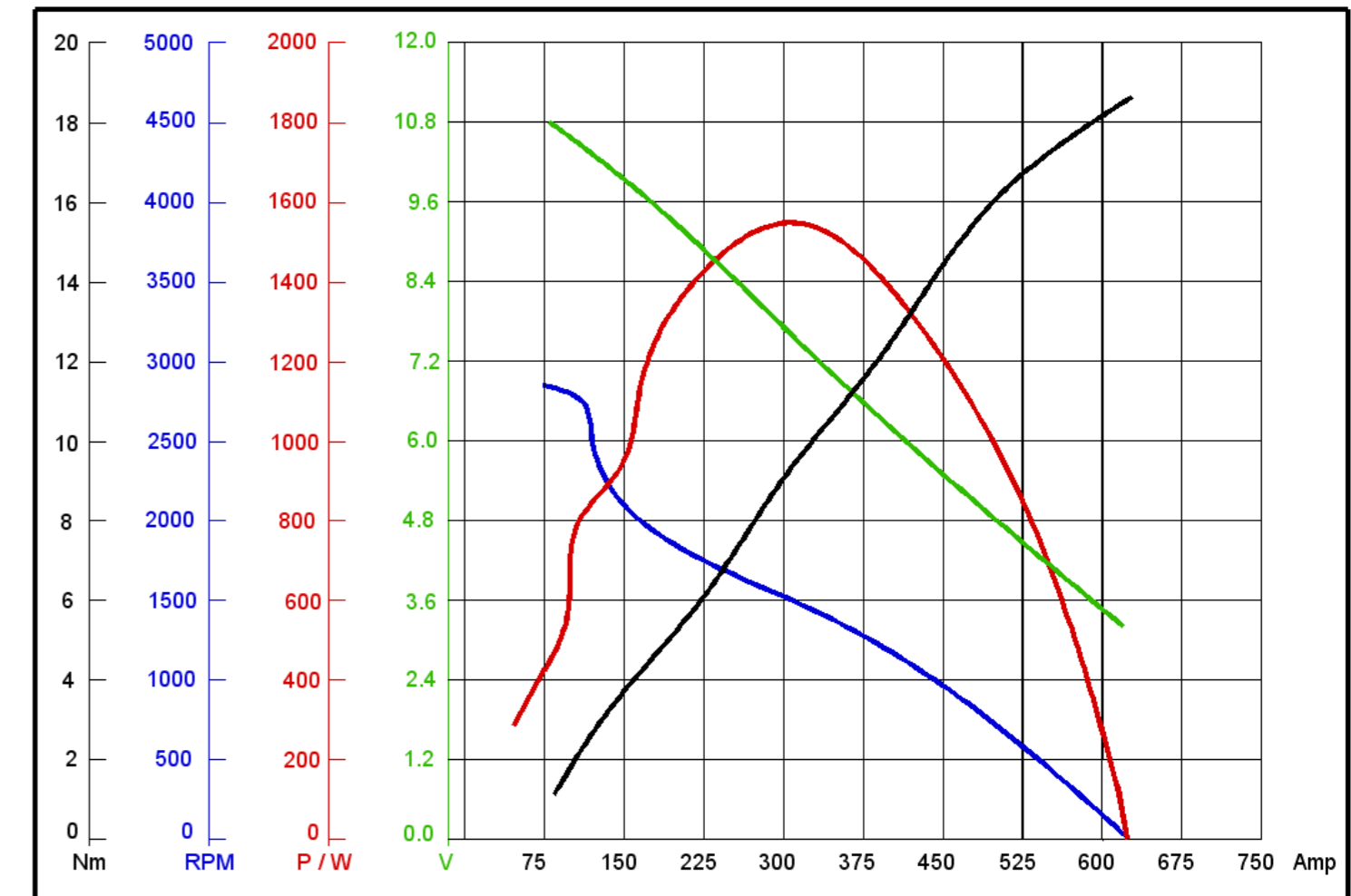
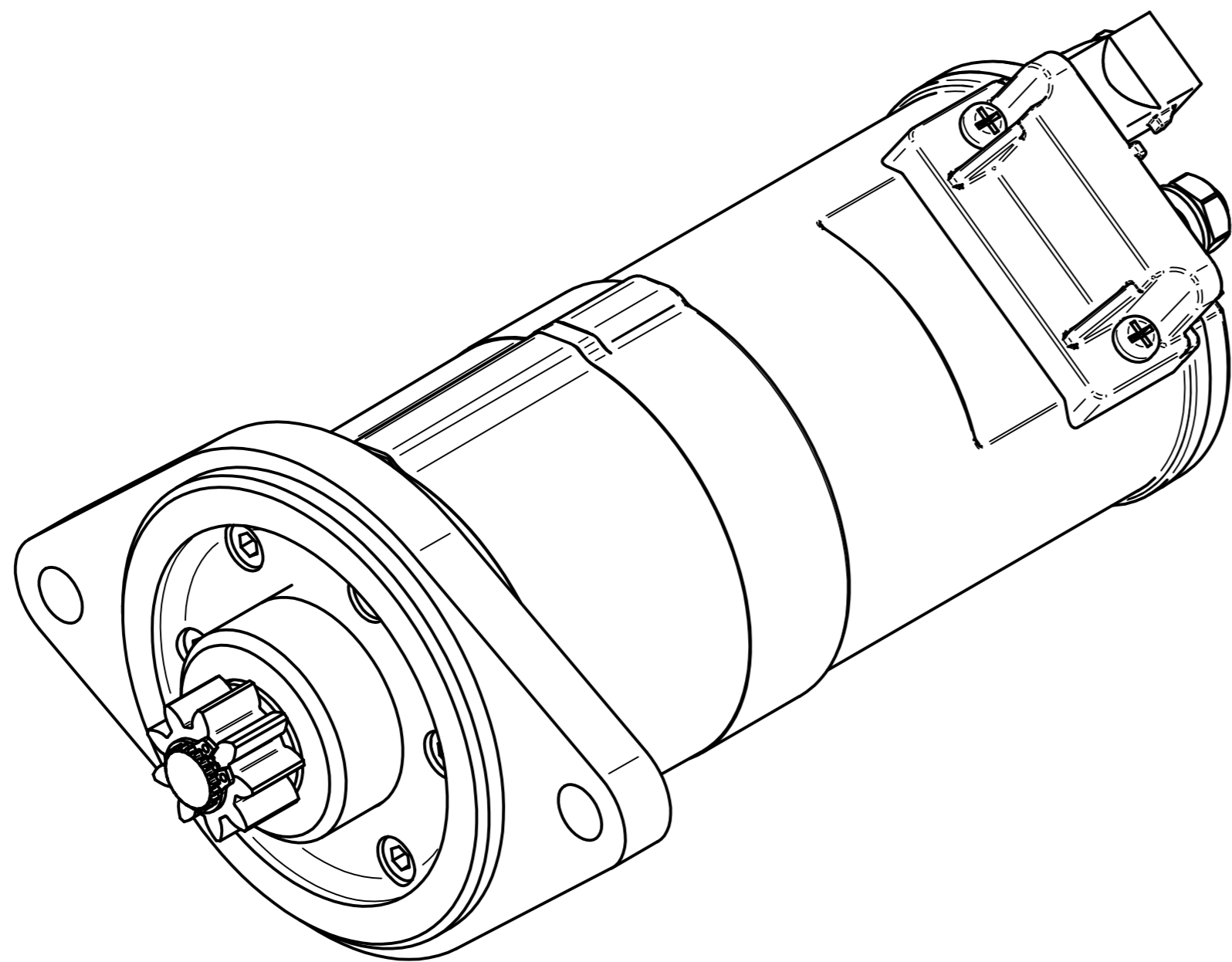
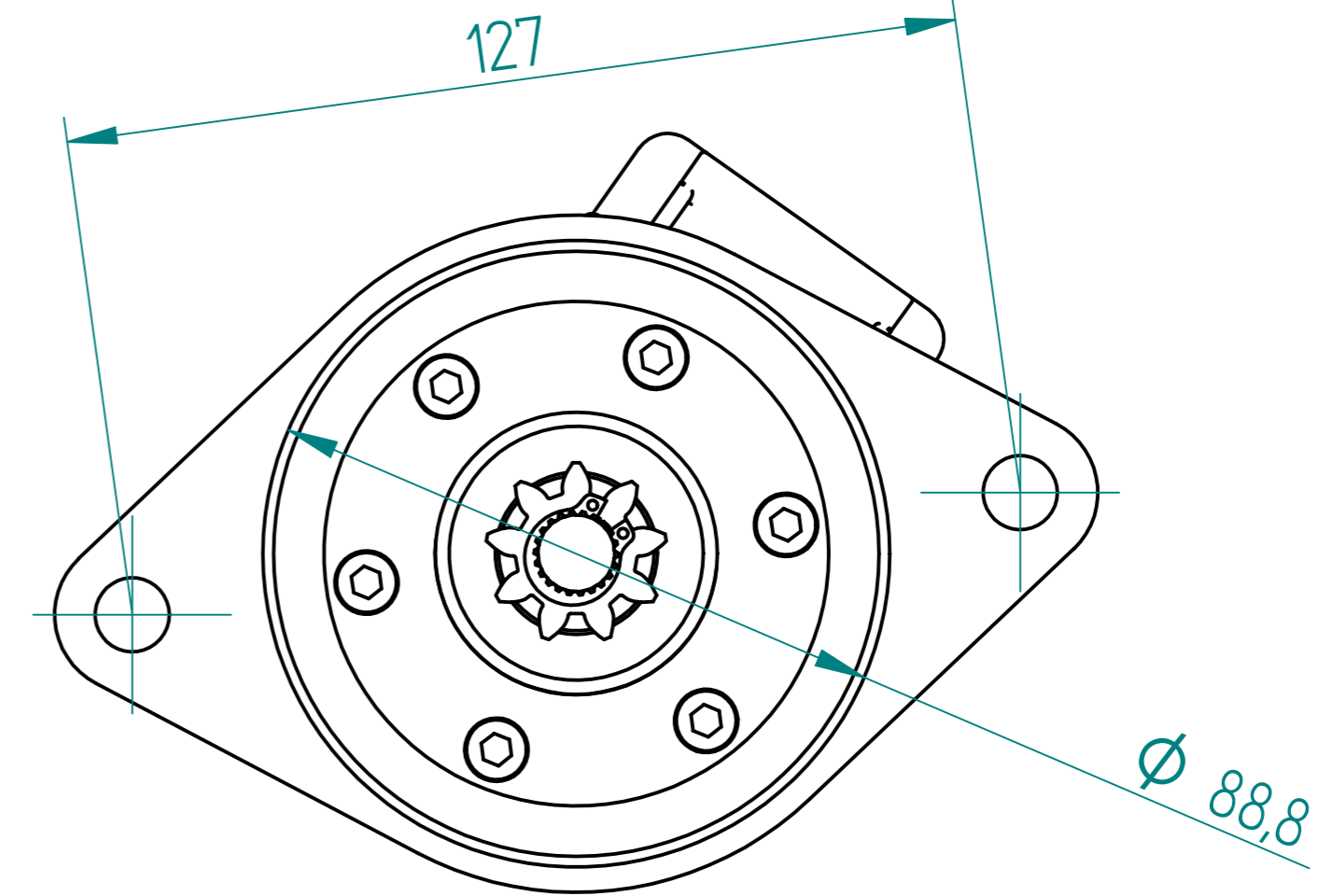
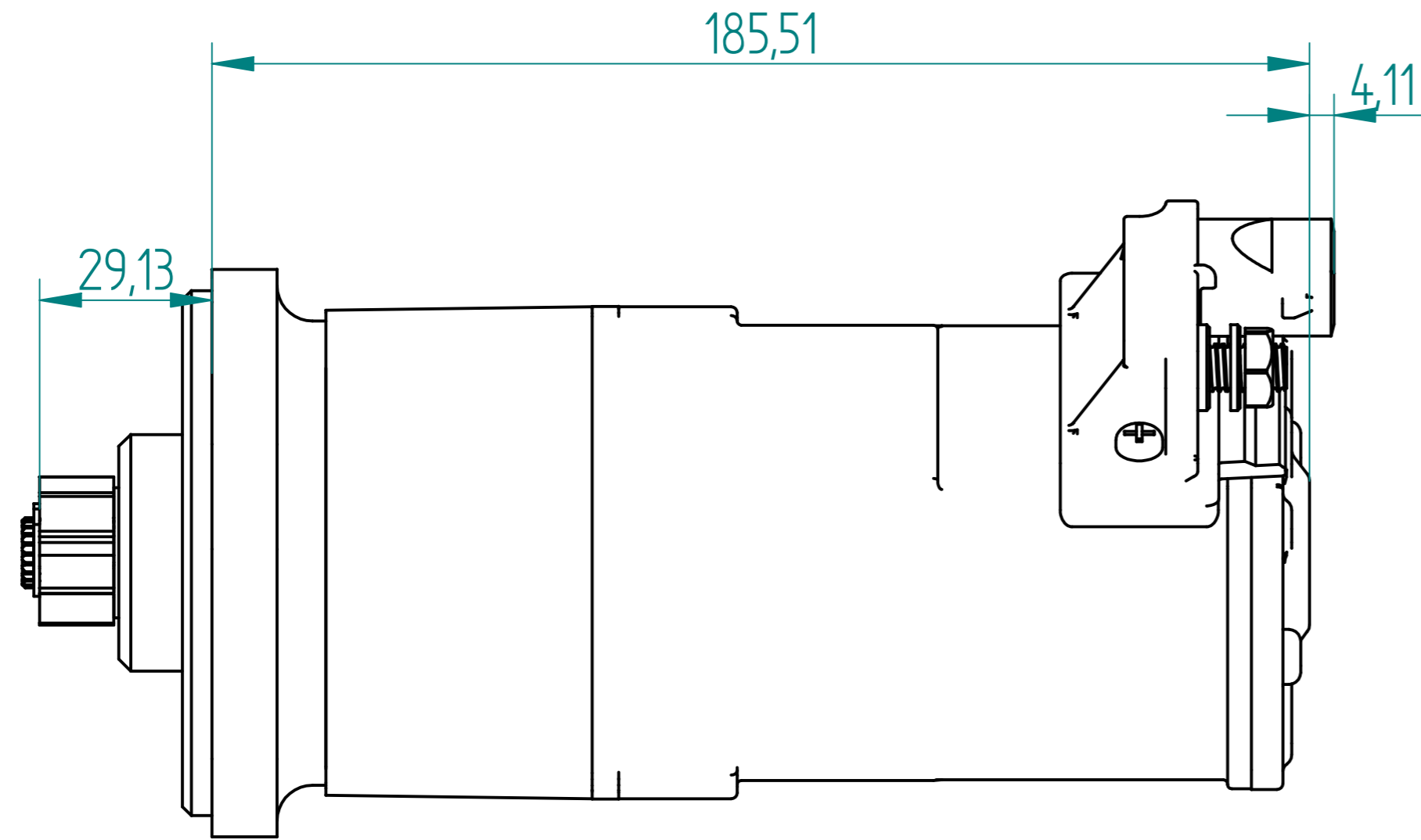


Jaguar E Type Straight 6 Starter. Part Number 8929094-5AXG



Material		Finish	
Drawn	Name	Date	
Checked	S.W.	26/07/10	
Appro			
Note.	Unless otherwise stated all dimensions in mm.		
Project: Jaguar E Type Straight 6.			Item: 8929094-5AXG Maximum Torque: 32Nm
Status			
Scale 1:1		Sheet 1 of 1	Mass: 2.7kg
© Copyright Brise Ltd. Unit Q3 Northfleet Industrial Estate DA11 9SN All Rights Reserved			

REVISION HISTORY			
REV.	DESCRIPTION	DATE	APPRO