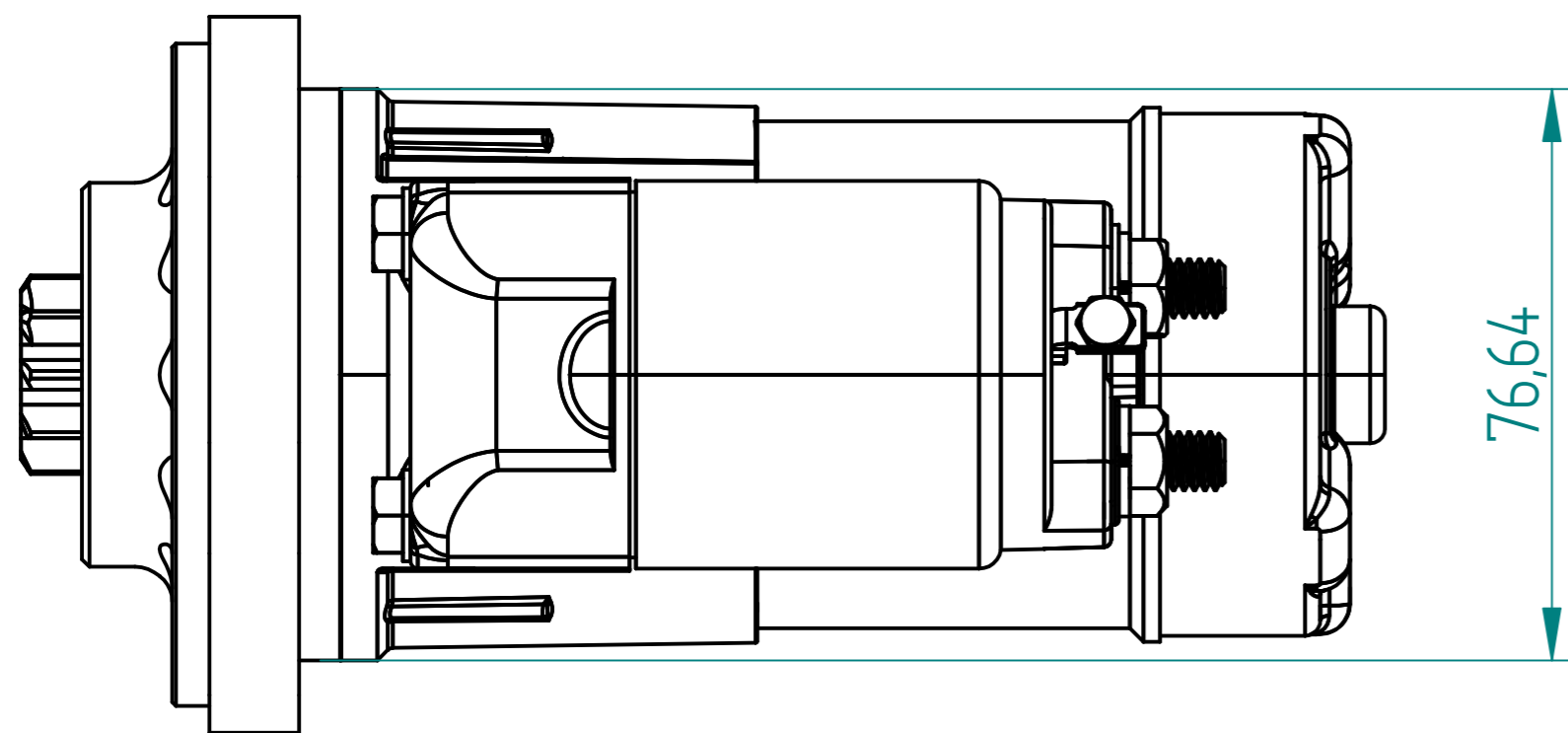
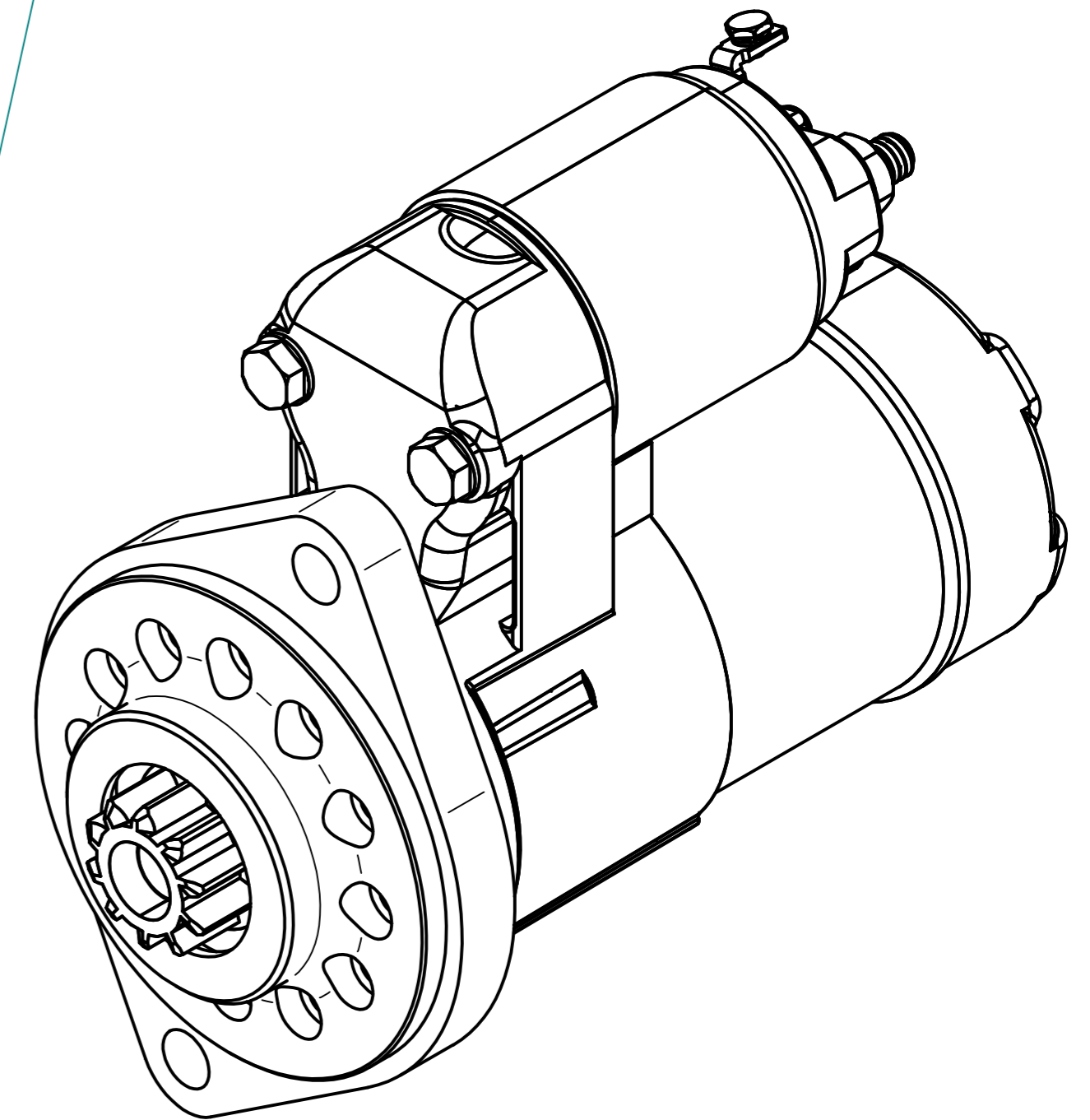
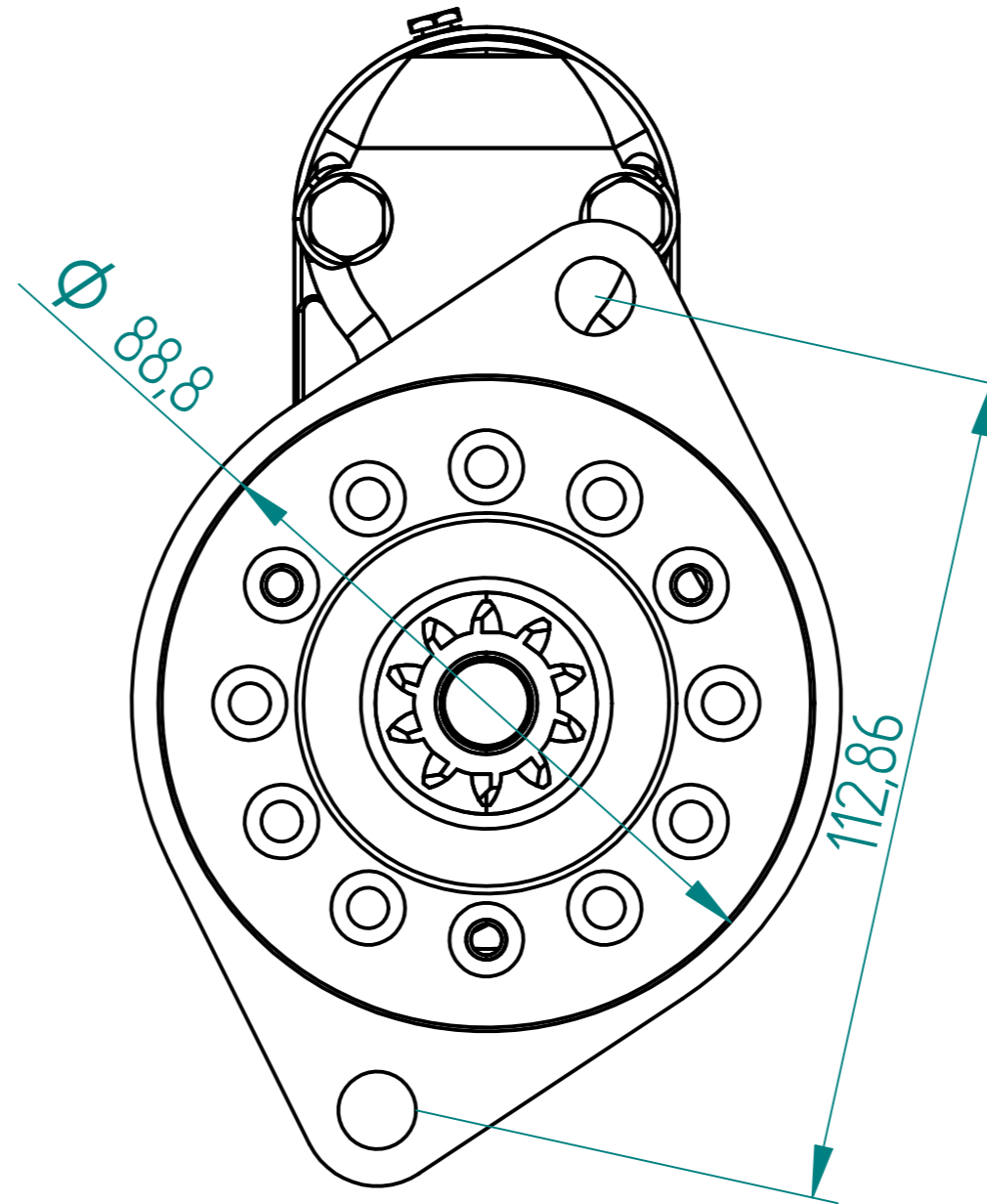
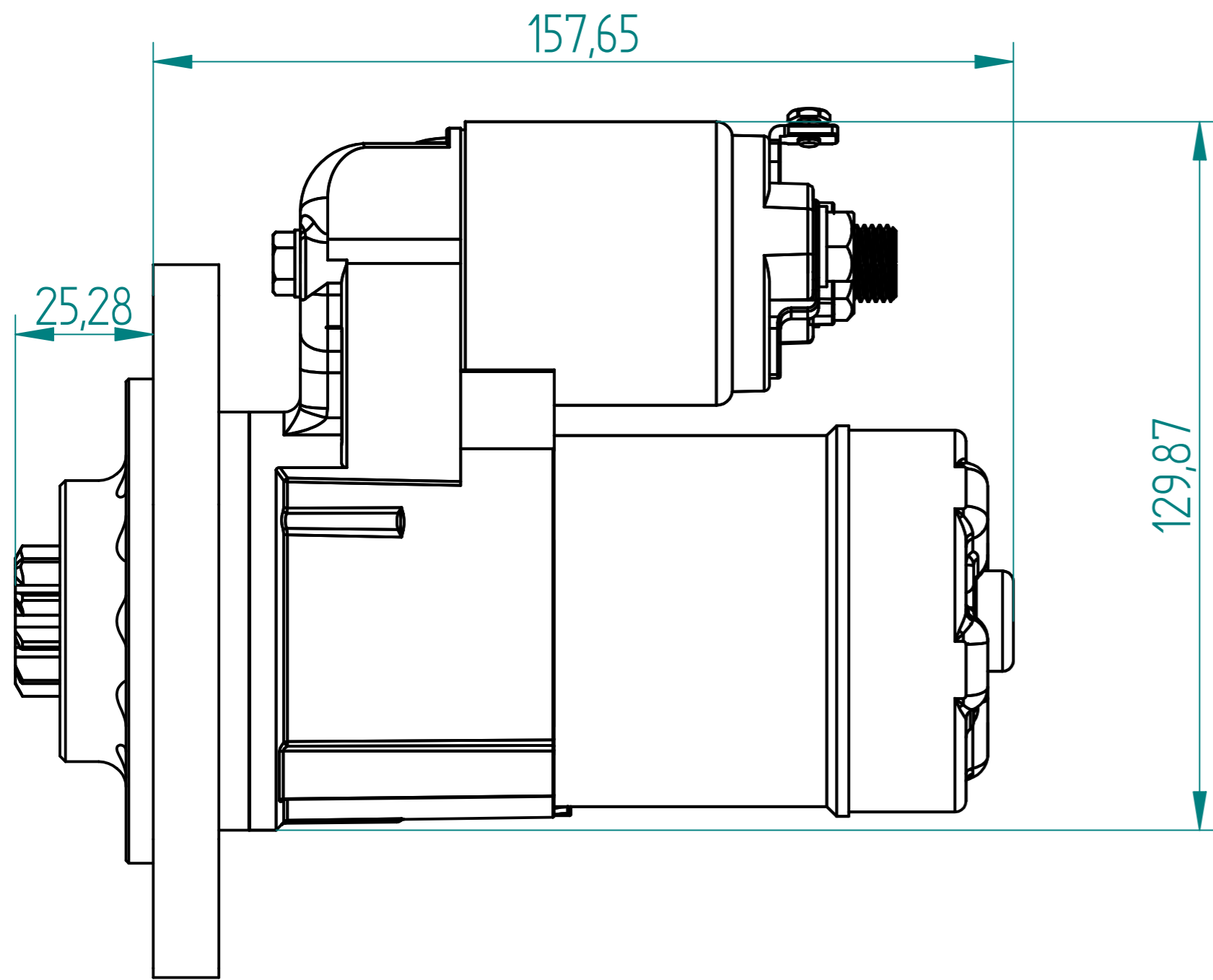



Mini/Mini Cooper Post 1980 A+ Series Starter. M892910PGR



REVISION HISTORY			
REV.	DESCRIPTION	DATE	APPRO

Material		Finish	
Drawn	Name	Date	
Checked	S.W.	21/07/10	
Appro			
Note.	Unless otherwise stated all dimensions in mm.		
Project: Mini/ Mini Cooper Post 1980 A+ Series.			Item: M892910PGR Maximum Torque: 47-50Nm
Status	Scale 1:1	Sheet 1 of 1	
© Copyright Brise Ltd. Unit Q3 Northfleet Industrial Estate DA11 9SN All Rights Reserved			