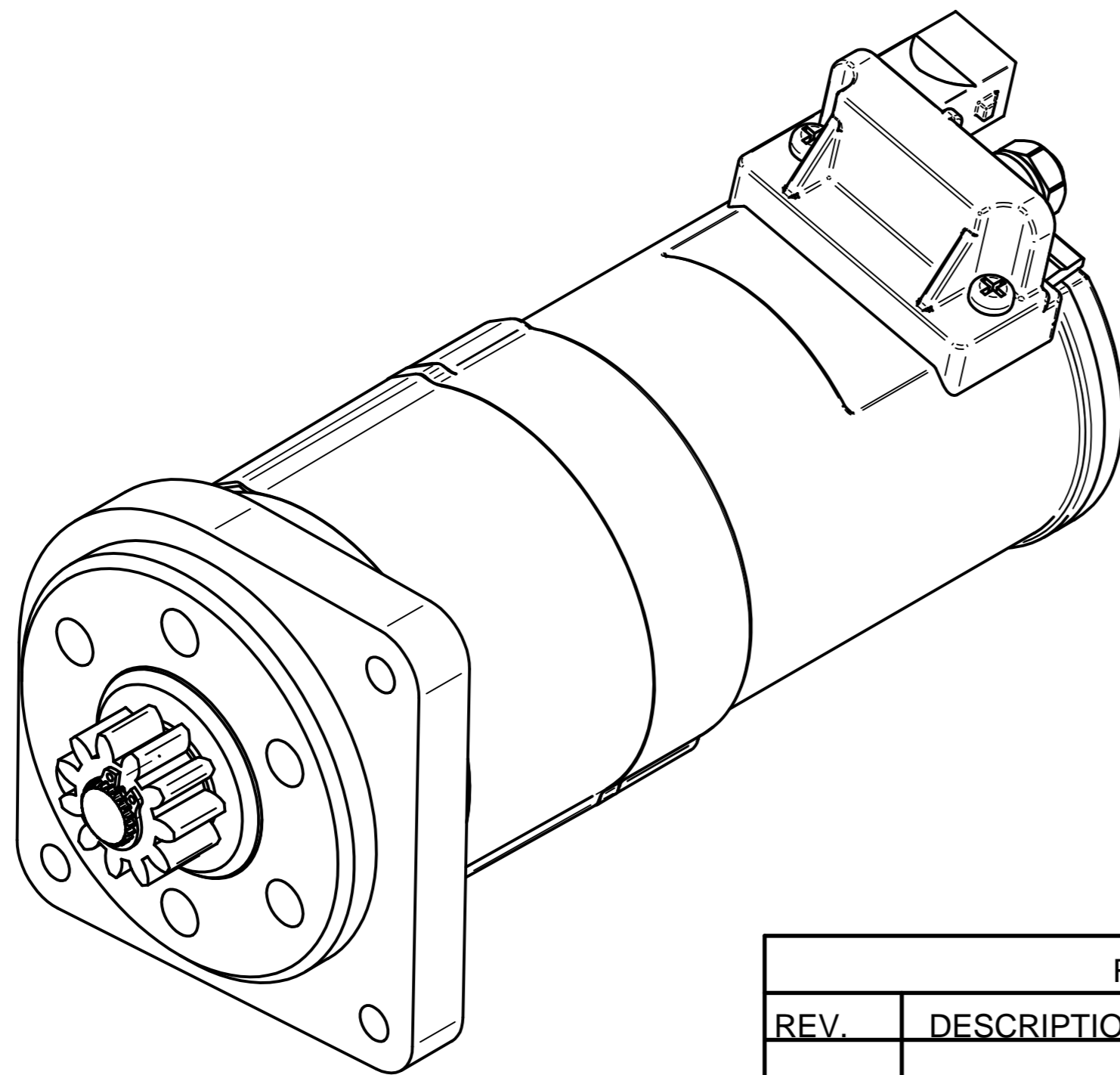
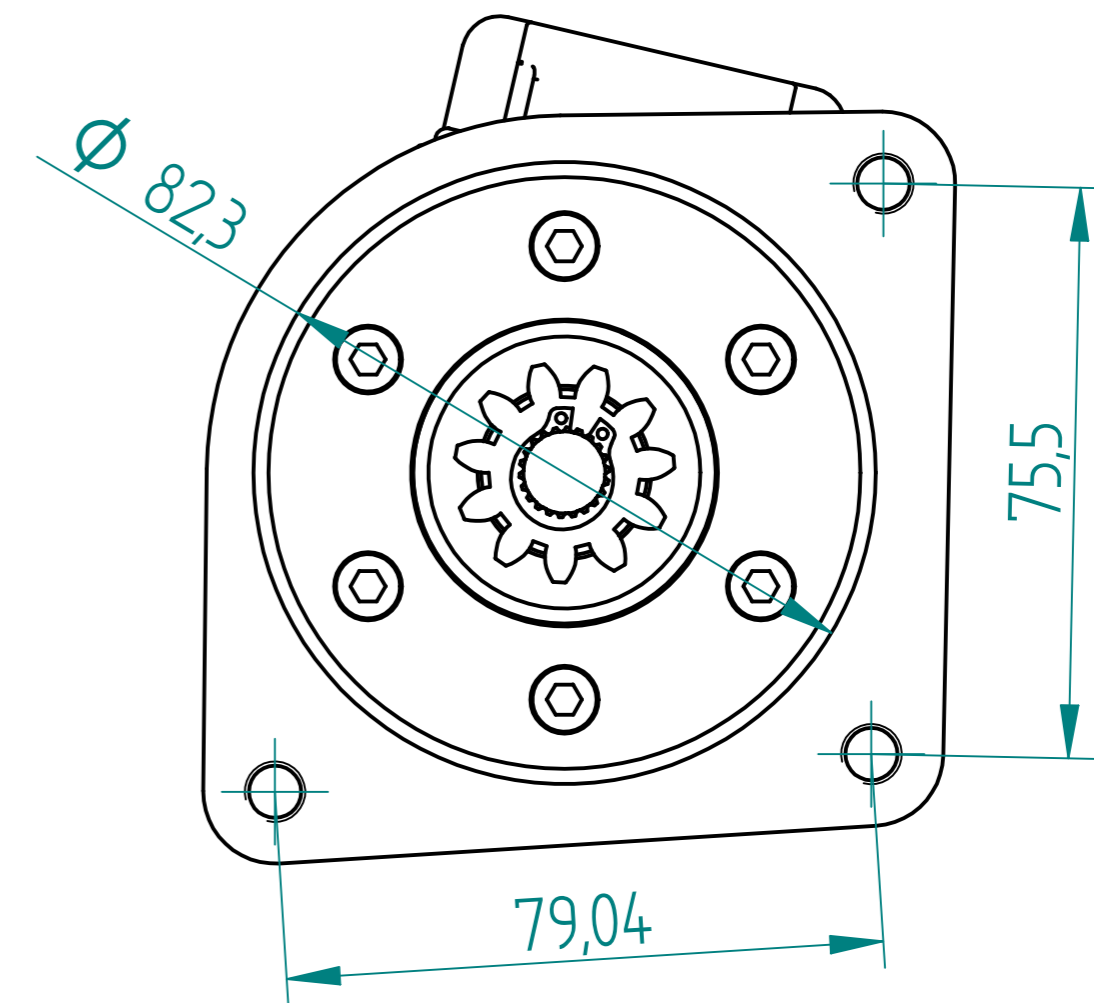
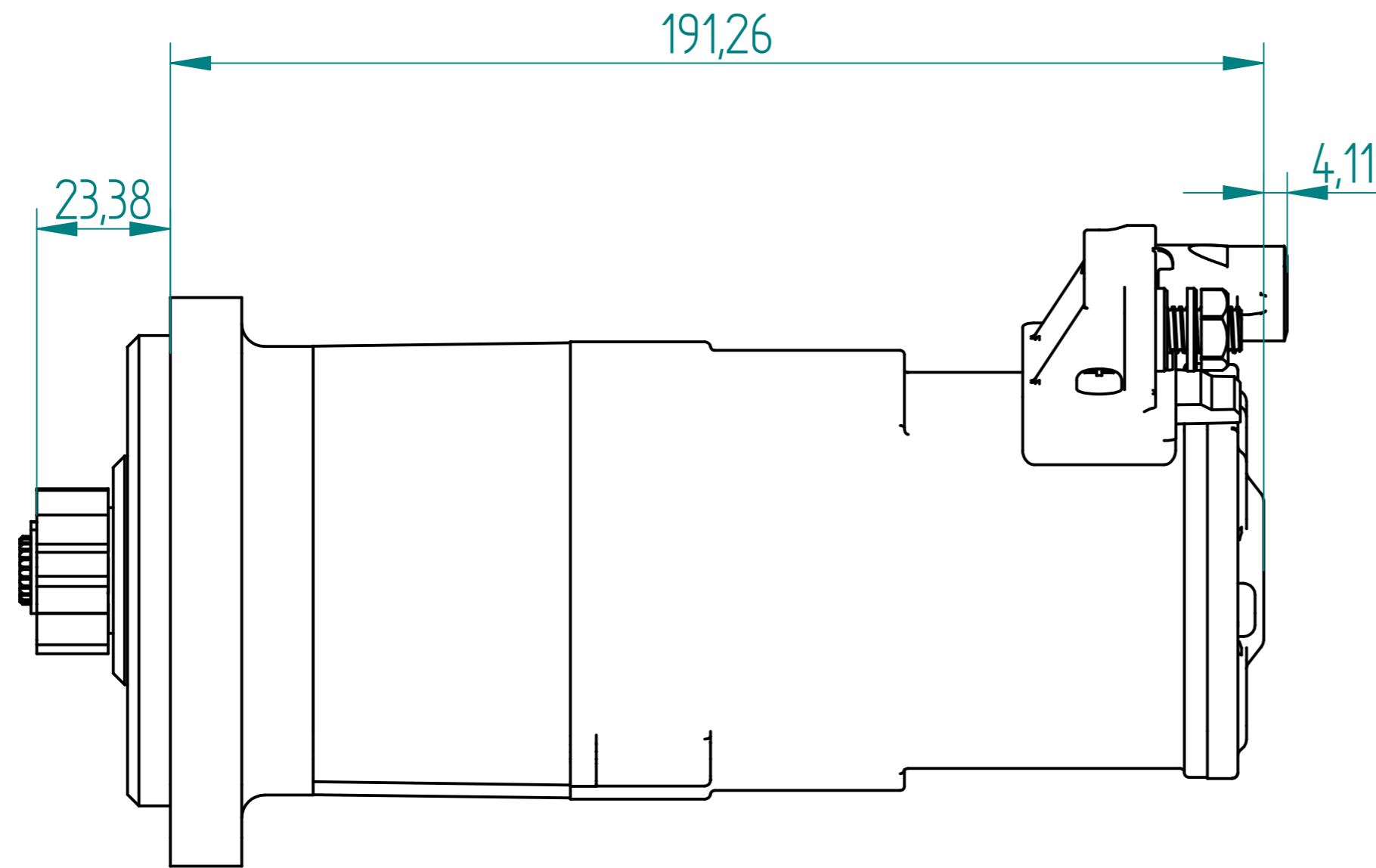


Fiat Twin Cam Starter. Part Number TC8223113AXG



REVISION HISTORY			
REV.	DESCRIPTION	DATE	APPRO

Material		Finish	
Drawn	Name S.W.	Date 21/07/10	
Checked			
Appro			
Note. Unless otherwise stated all dimensions in mm.			
Project: Fiat Twin Cam.			
Item: TC8223113AXG			
Maximum Torque: 32Nm			
Status	Scale 1:1	Sheet 1 of 1	Mass: 2.7kg
© Copyright Brise Ltd. Unit Q3 Northfleet Industrial Estate DA11 9SN All Rights Reserved			