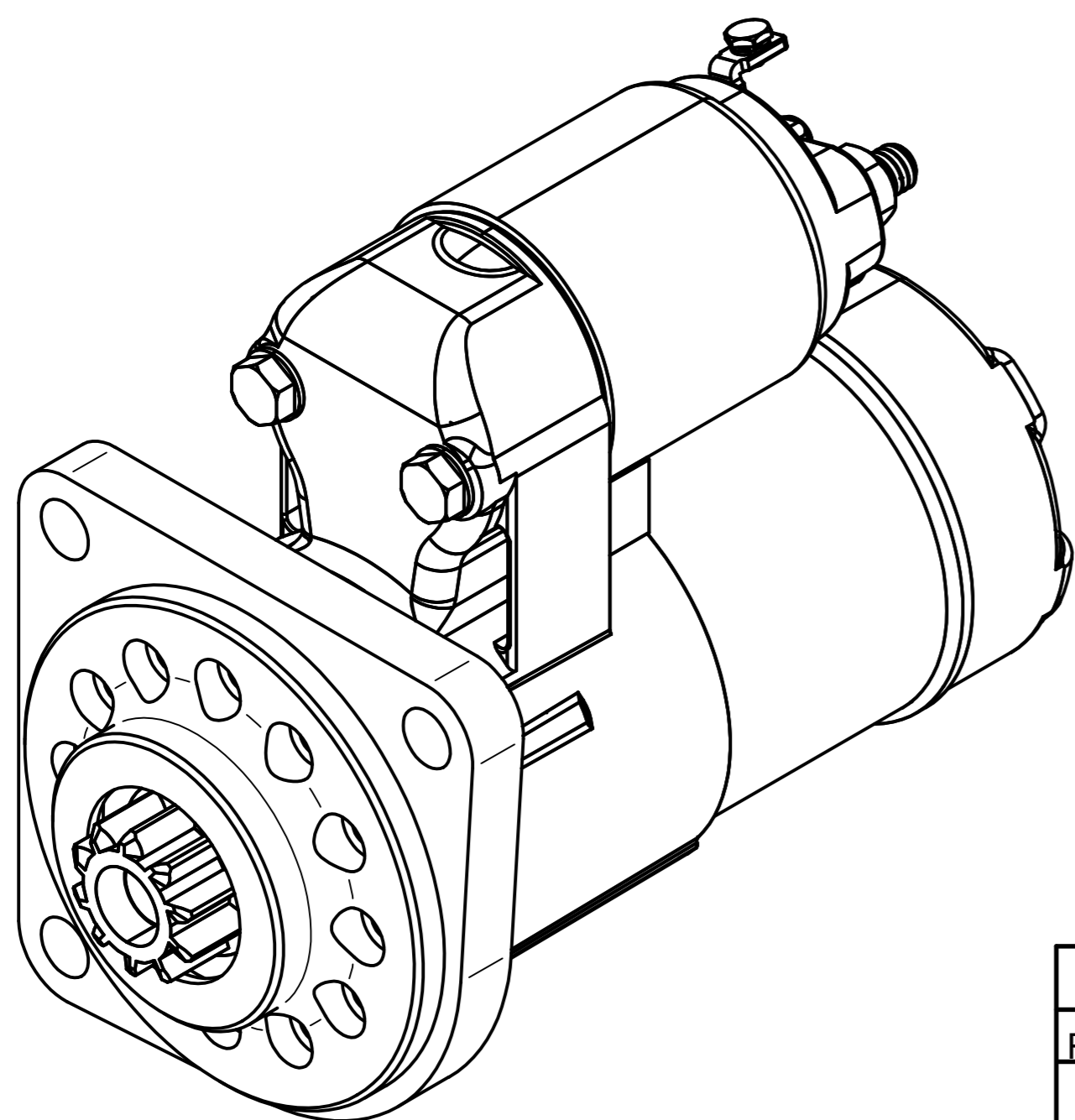
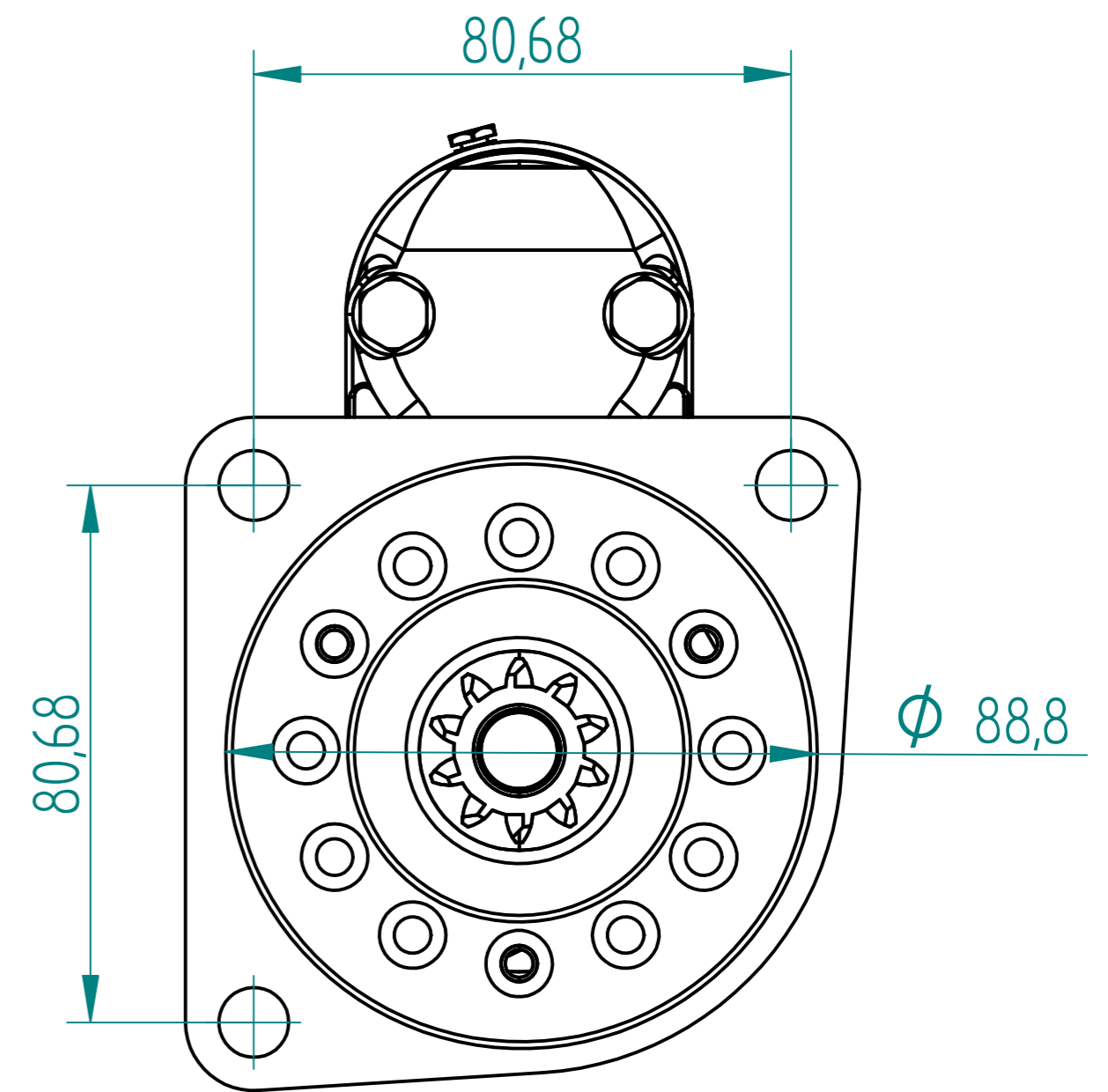
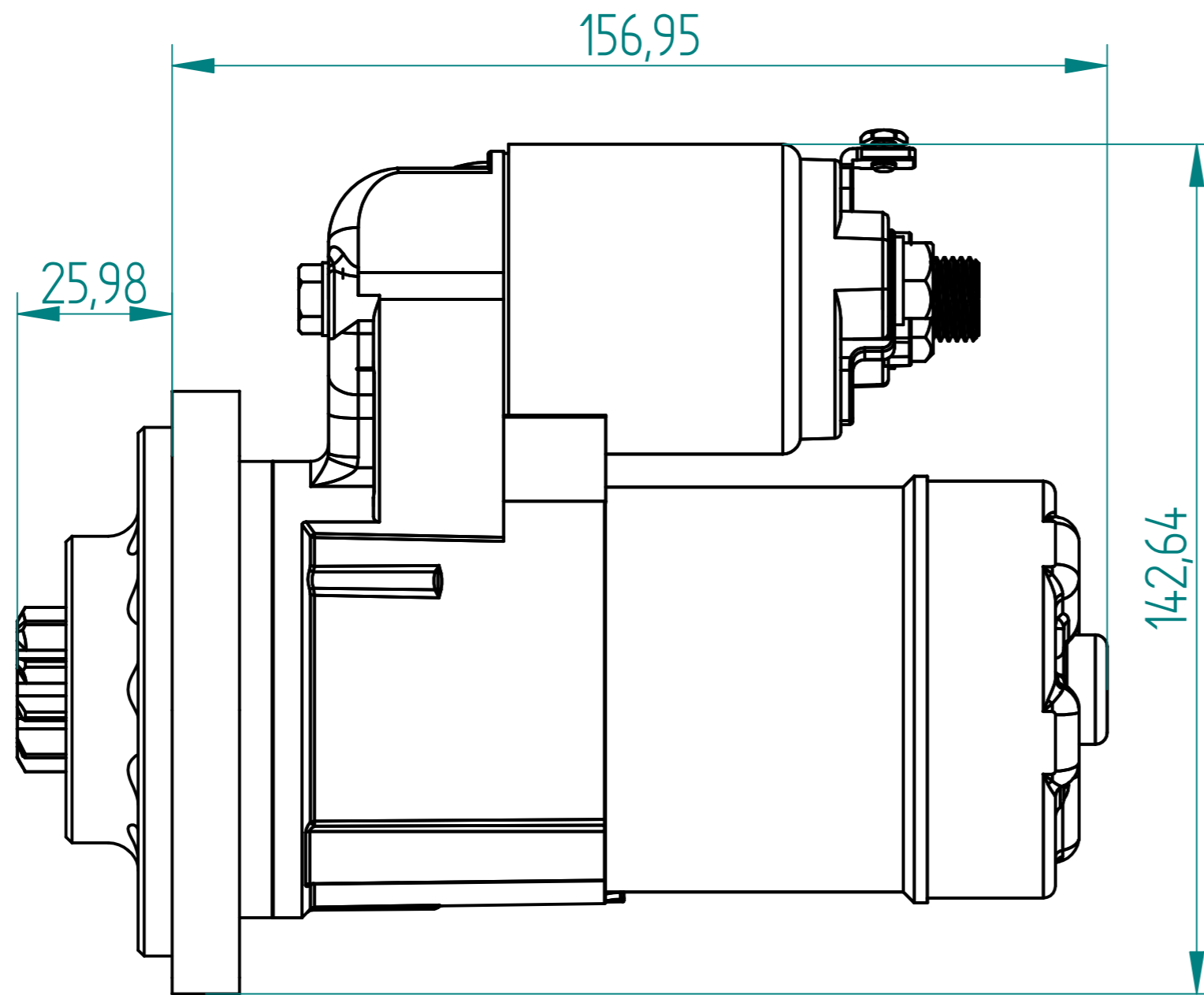
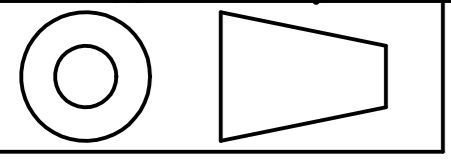


# Ford Kent, Crossflow, BDA, Twin Cam Starter. Part # 892909PGR



REVISION HISTORY			
REV.	DESCRIPTION	DATE	APPRO

Material		Finish	
Drawn	Name	Date	
Checked	S.W.	22/07/10	
Appro			
Note.			
Unless otherwise stated all dimensions in mm.			Project: Ford Kent, Crossflow, BDA, Twin cam.
			Item: 892909PGR
			Maximum Torque: 47-50Nm
Status		Scale 1:1	Sheet 1 of 1
		Mass: 2.7kg	
© Copyright Brise Ltd. Unit Q3 Northfleet Industrial Estate DA11 9SN			
All Rights Reserved			