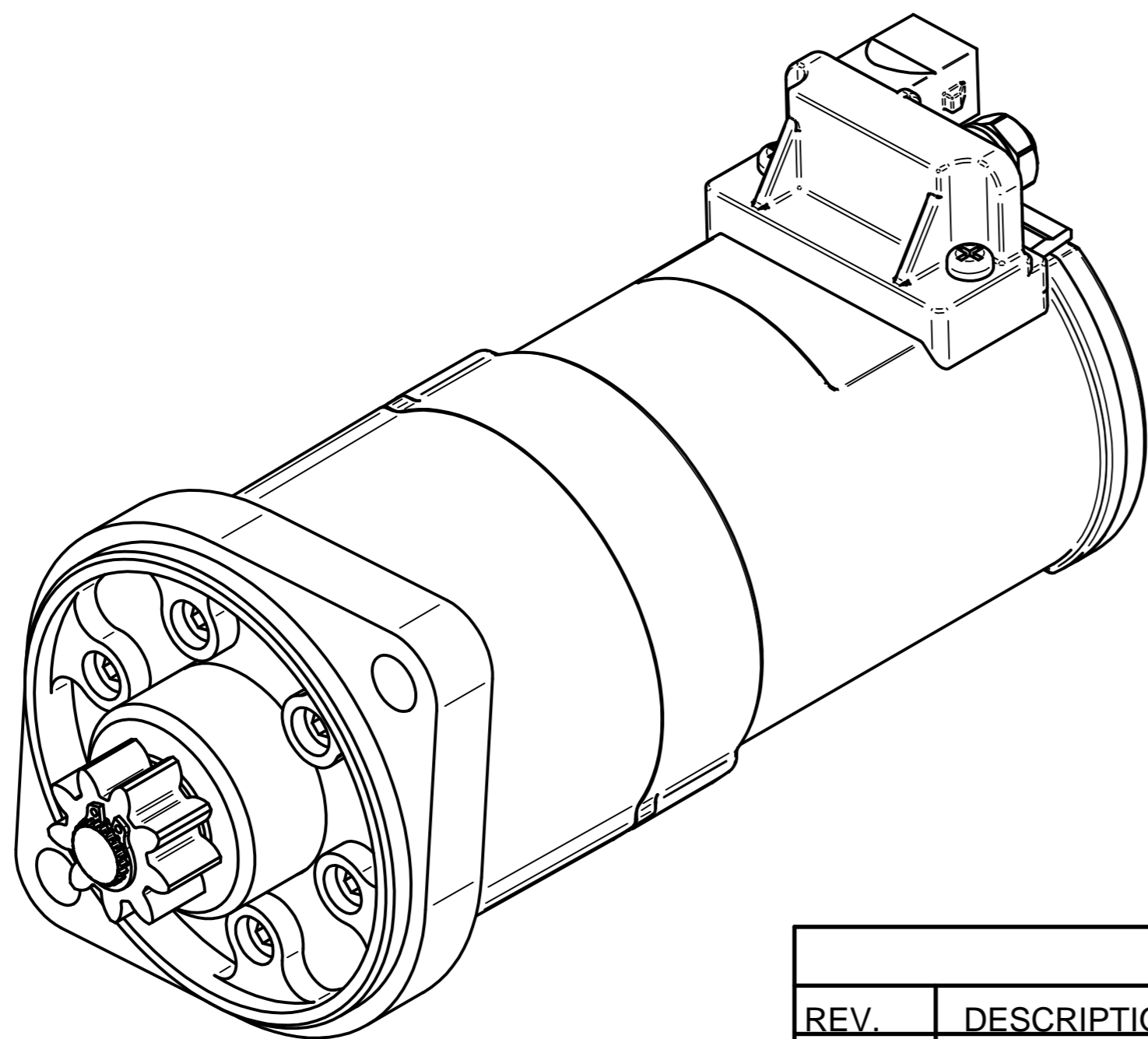
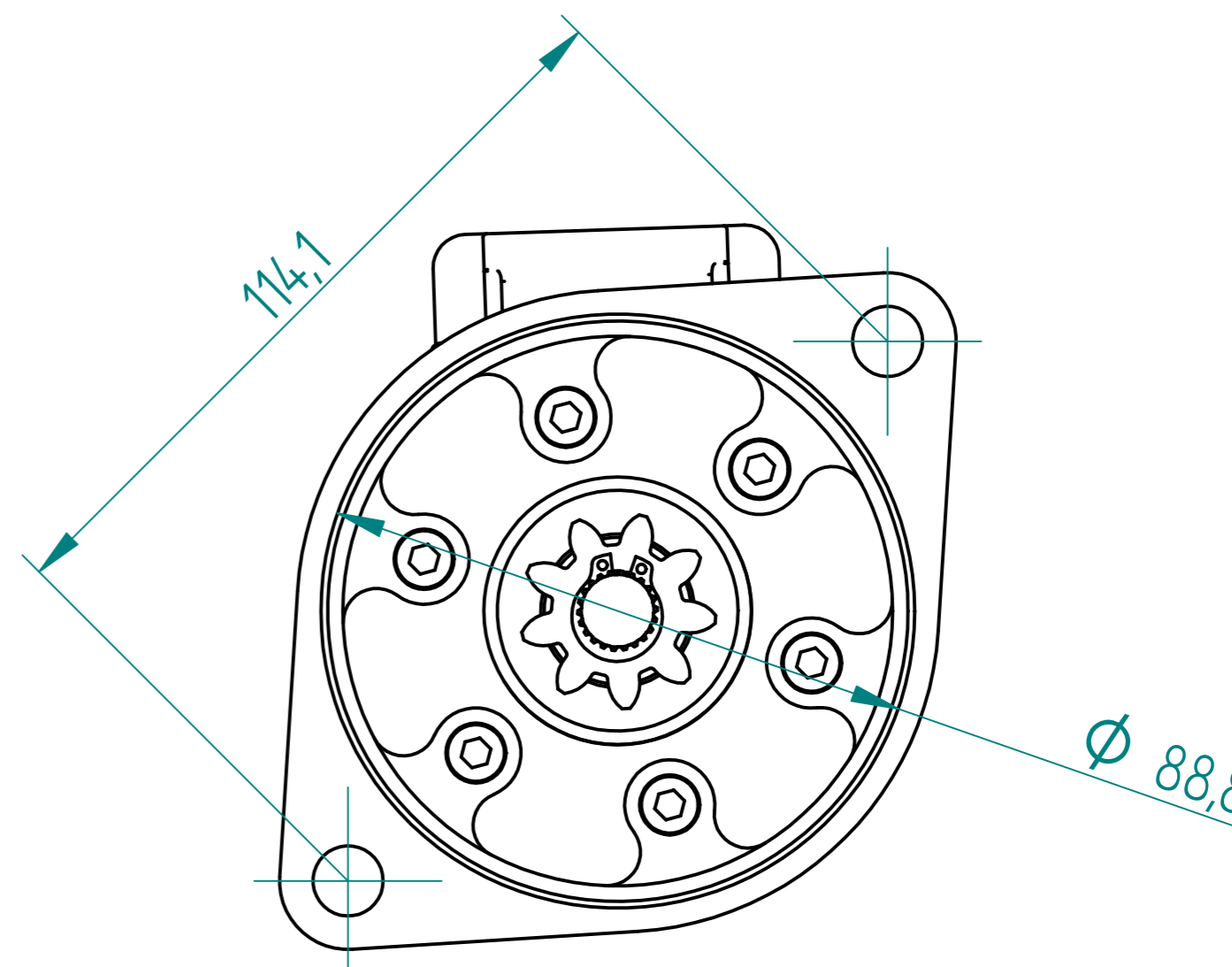
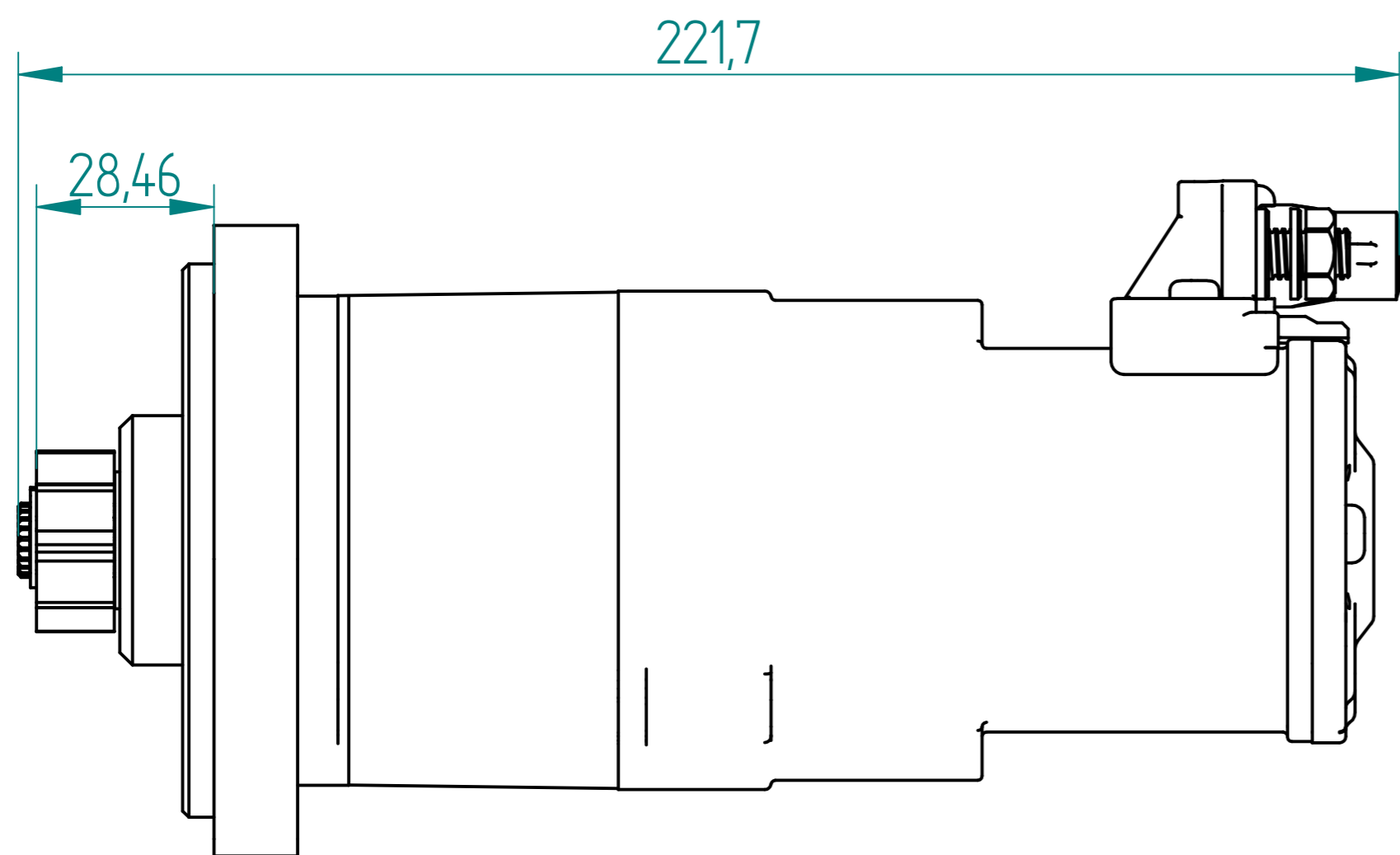


Mini / Mini Copper pre 1980 Starter. Part number M892909AXG



REVISION HISTORY			
REV.	DESCRIPTION	DATE	APPRO

Material		Finish	
Drawn	Name	Date	
Checked	S.W.	27/10/10	
Appro			
Note.	Unless otherwise stated all dimensions in mm.		
Project: Mini / Mini Cooper pre 1980 Starter.			Item: M892909AXG Maximum Torque:
Status	Scale 1:1	Sheet 1 of 1	
© Copyright Brise Ltd. Unit Q3 Northfleet Industrial Estate DA11 9SN All Rights Reserved			